

# AP 300 I

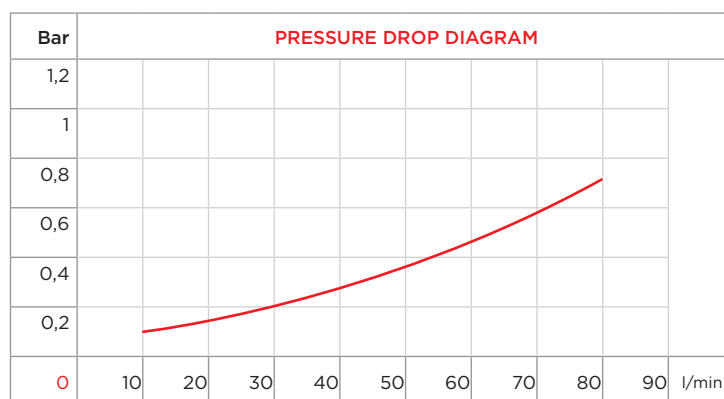
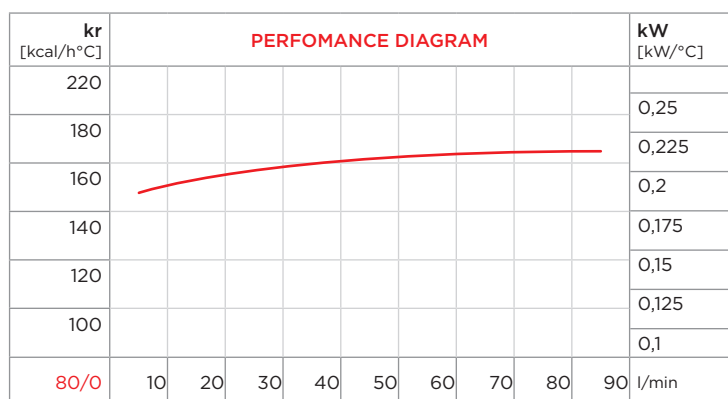


## PURCHASE CODES

AP 300 I With hydraulic motor	3RAP300IA
AP 300 I Prepared	3RAP300I4A

## SPARE PARTS

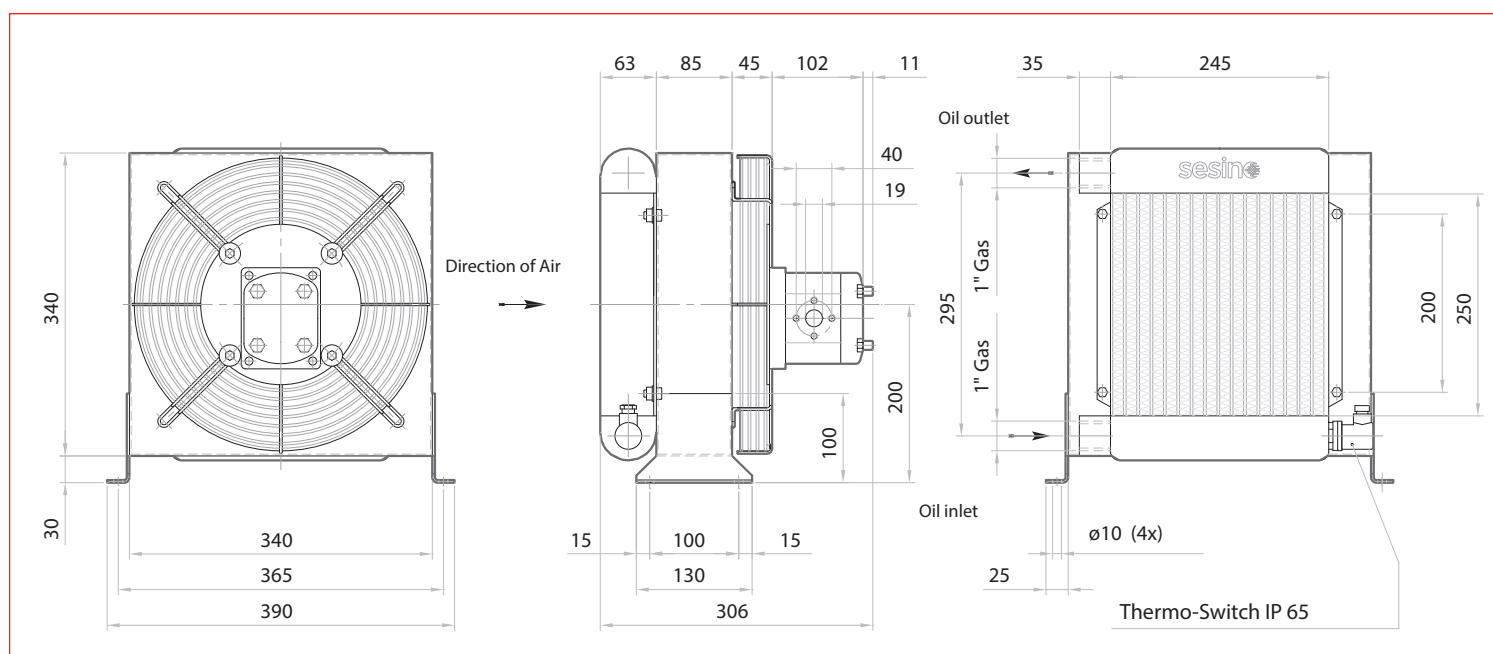
Cooling element	3RNL300
Housing	1300TLV
Frame	3CNAP300I.1
Fan	1G300I
Fan Grill	1RTAP300I
Hydraulic motor	1MO2/M16
Thermo-switch 60-49 IP 65	1TRM60-49
Thermo-switch 47-36 IP 65	1TRM47-36



**CORRECTION FACTOR**

cSt	22	30	46	68	100	150	220
f	0,6	1	1,5	2,3	3,5	5	7

- Dimensions and technical characteristics are not binding



OIL FLOW	FAN SPEED	POWER	DISPLACEMENT	MOTOR FLOW	AIR FLOW	NOISE LEVEL	WEIGHT	CAPACITY	$\phi$ FAN
l/min	rpm	W	cc/r	l/min	m <sup>3</sup> /h	dB(A)	kg	lt.	mm
10-80	2300	200	11,3	26	2.000	68	14	2	255

# AP 430 I

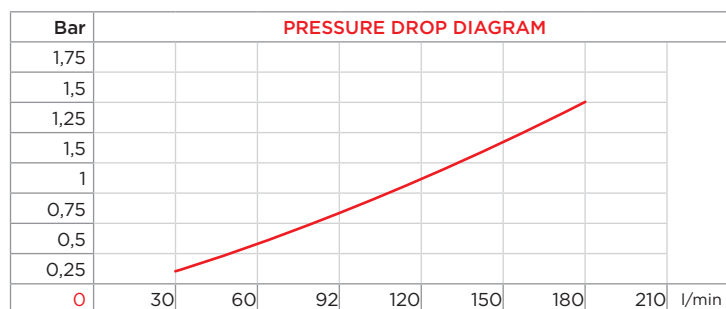
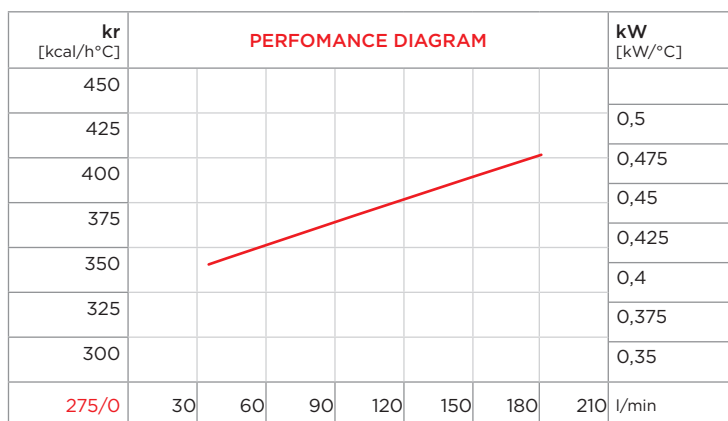


## PURCHASE CODES

AP 430 I with hydraulic motor	3RAP43011A
AP 430 I prepared	3RAP43014A

## SPARE PARTS

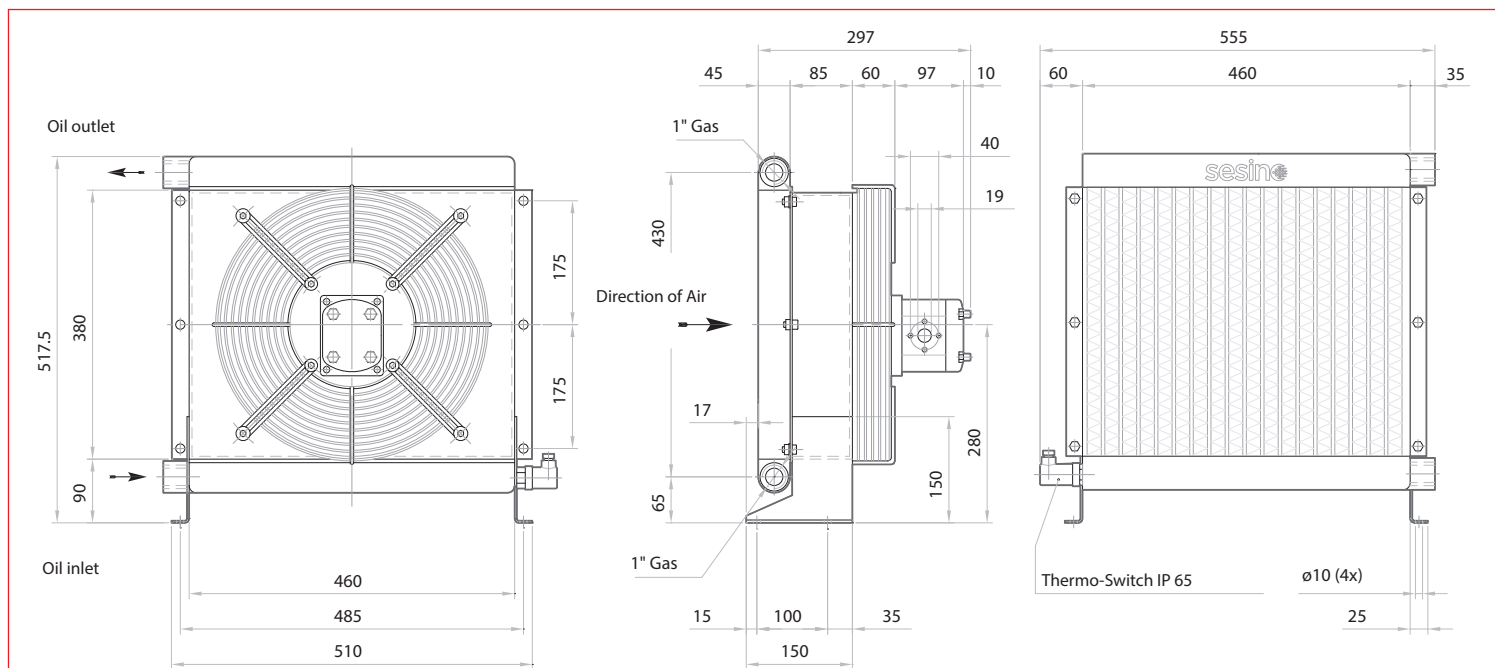
Cooling element	3RNL430
Frame	3CN4301.1
Shock isolating mounting (4 pcs)	3KIT4511
Fan	1G430I
Fan grill	1RTAP430I
Hydraulic motor	1MO2/M16
Thermo-switch 60-49 IP 65	1TRM60-49
Thermo-switch 47-36 IP 65	1TRM47-36



**CORRECTION FACTOR**

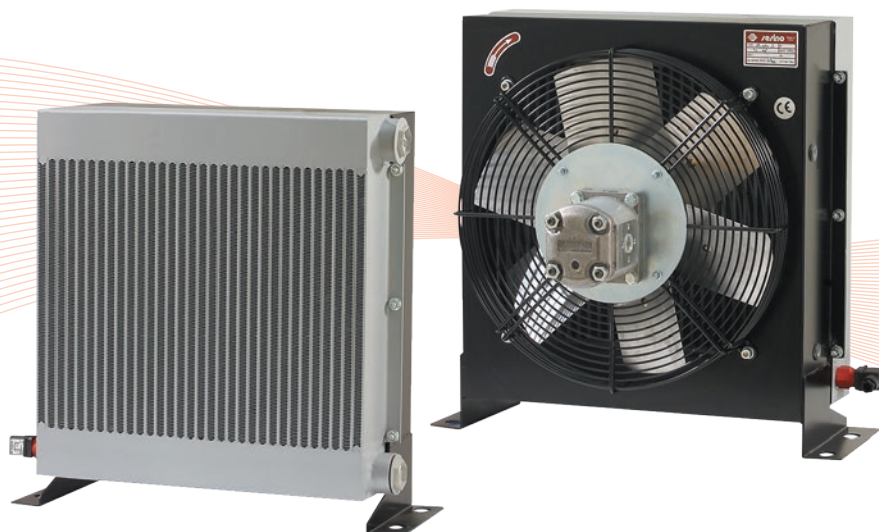
cSt	22	30	46	68	100	150	220
f	0,6	1	1,5	2,3	3,5	5	7

- Dimensions and technical characteristics are not binding



OIL FLOW	FAN SPEED	POWER	DISPLACEMENT	MOTOR FLOW	AIR FLOW	NOISE LEVEL	WEIGHT	CAPACITY	ø FAN
l/min	rpm	W	cc/r	l/min	m <sup>3</sup> /h	dB(A)	kg	lt.	mm
50-150	2.700	770	11,3	31	7.000	73	21	3,6	355

# AP 494 I

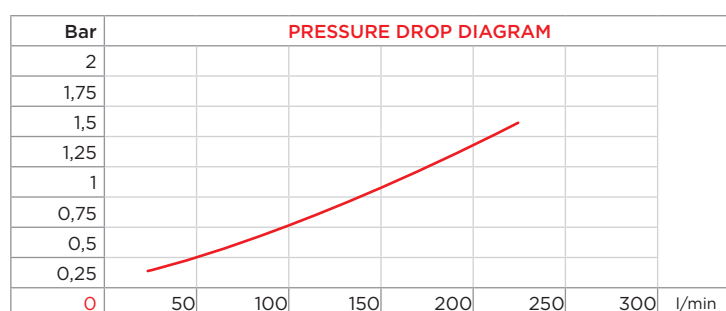
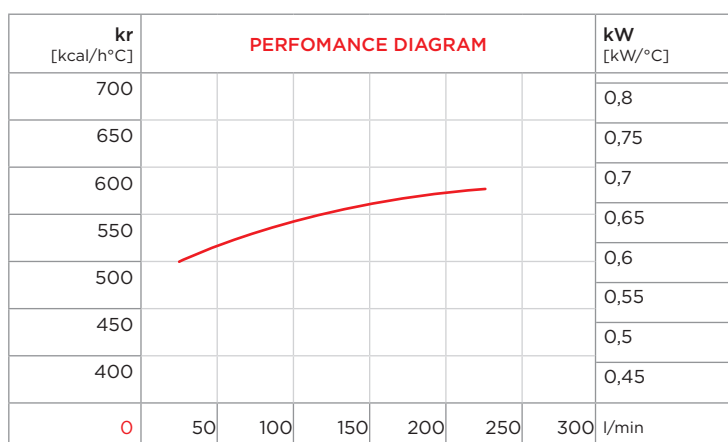


## PURCHASE CODES

AP 494 I with hydraulic motor	<b>3RAP49411A</b>
AP 494 I prepared	<b>3RAP49414A</b>

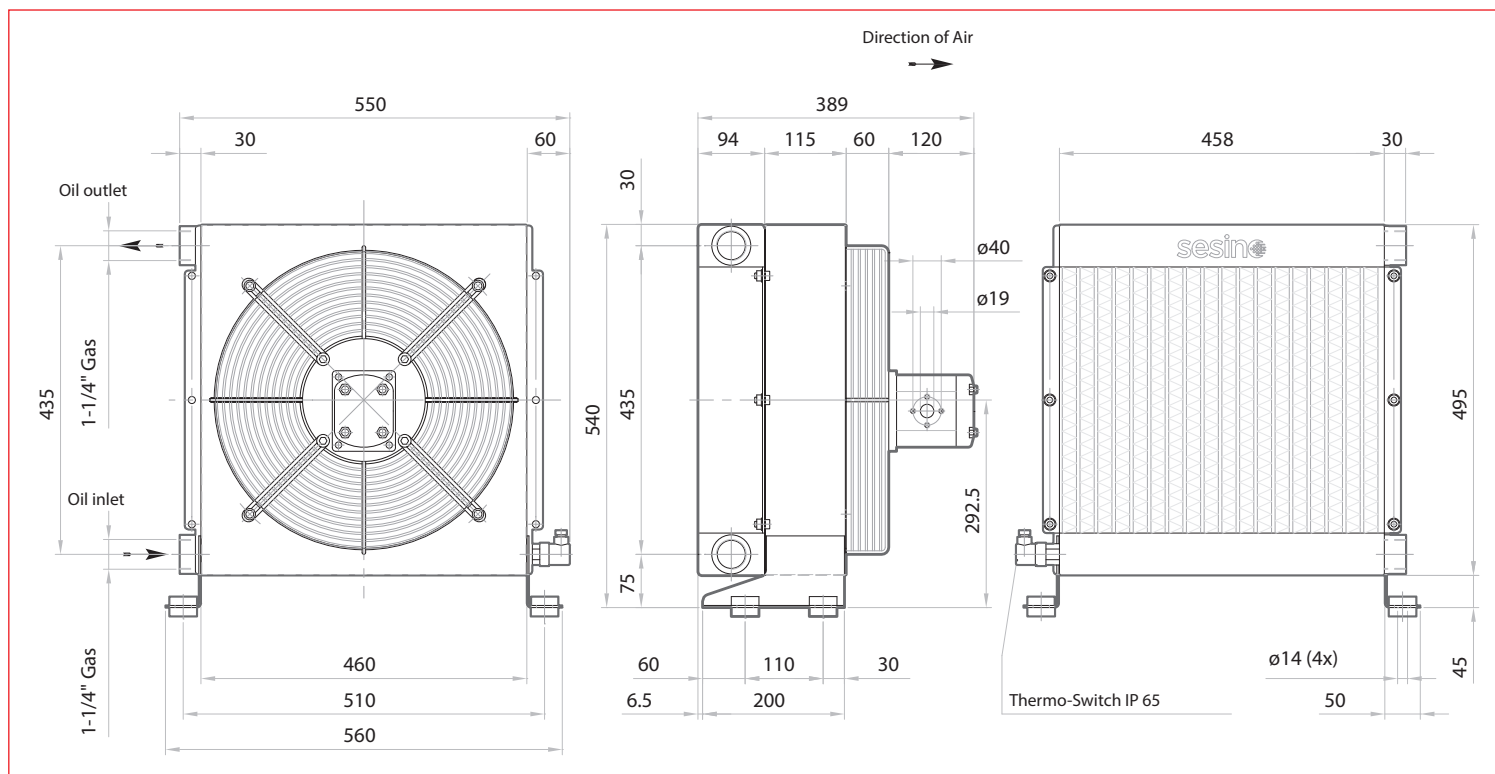
## SPARE PARTS

Frame	3CNAP4941.1
Shock isolating mounting (4 pcs)	3KIT4135
Electric junction box for	1CSSDSAREL
Fan	1G580I
Cooling element	1RO99332
Hydraulic motor	1MO2/M16
Thermo-switch 60-49 IP 65	1TRM60-49
Thermo-switch 47-36 IP 65	1TRM47-36
Fan Grill	1RTAP580I



CORRECTION FACTOR							
cSt	22	30	46	68	100	150	220
f	0,6	1	1,5	2,3	3,5	5	7

- Dimensions and technical characteristics are not binding



OIL FLOW	FAN SPEED	POWER	DISPLACEMENT	MOTOR FLOW	AIR FLOW	NOISE LEVEL	WEIGHT	CAPACITY	Ø FAN
l/min	rpm	W	cc/r	l/min	m³/h	dB(A)	kg	lt.	mm
30-240	2.400	1100	11,3	27	8.000	75	26	8	400



# AP 580 I

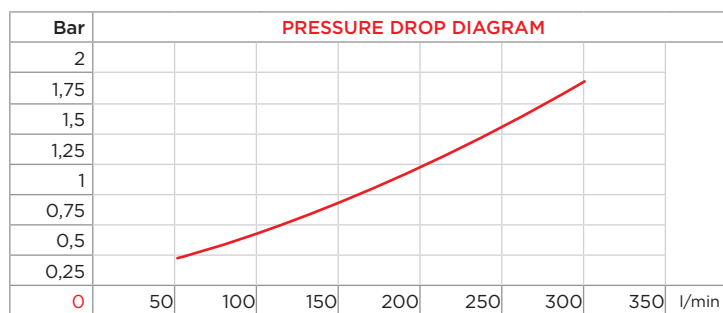
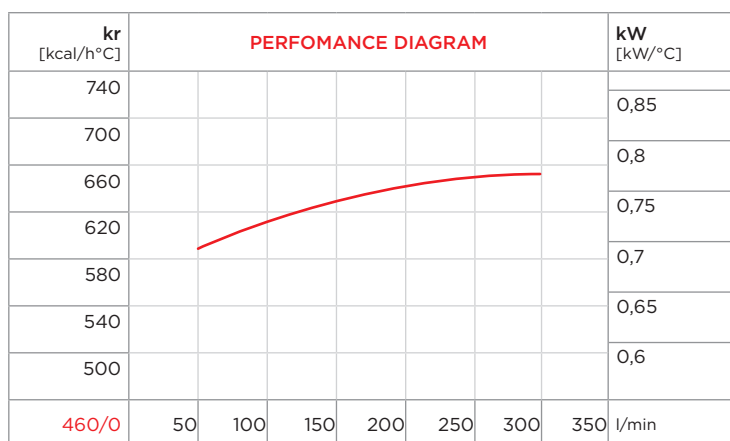


## PURCHASE CODES

AP 580 I with hydraulic motor	<b>3RAP58011A</b>
AP 580 I prepared	<b>3RAP58014A</b>

## SPARE PARTS

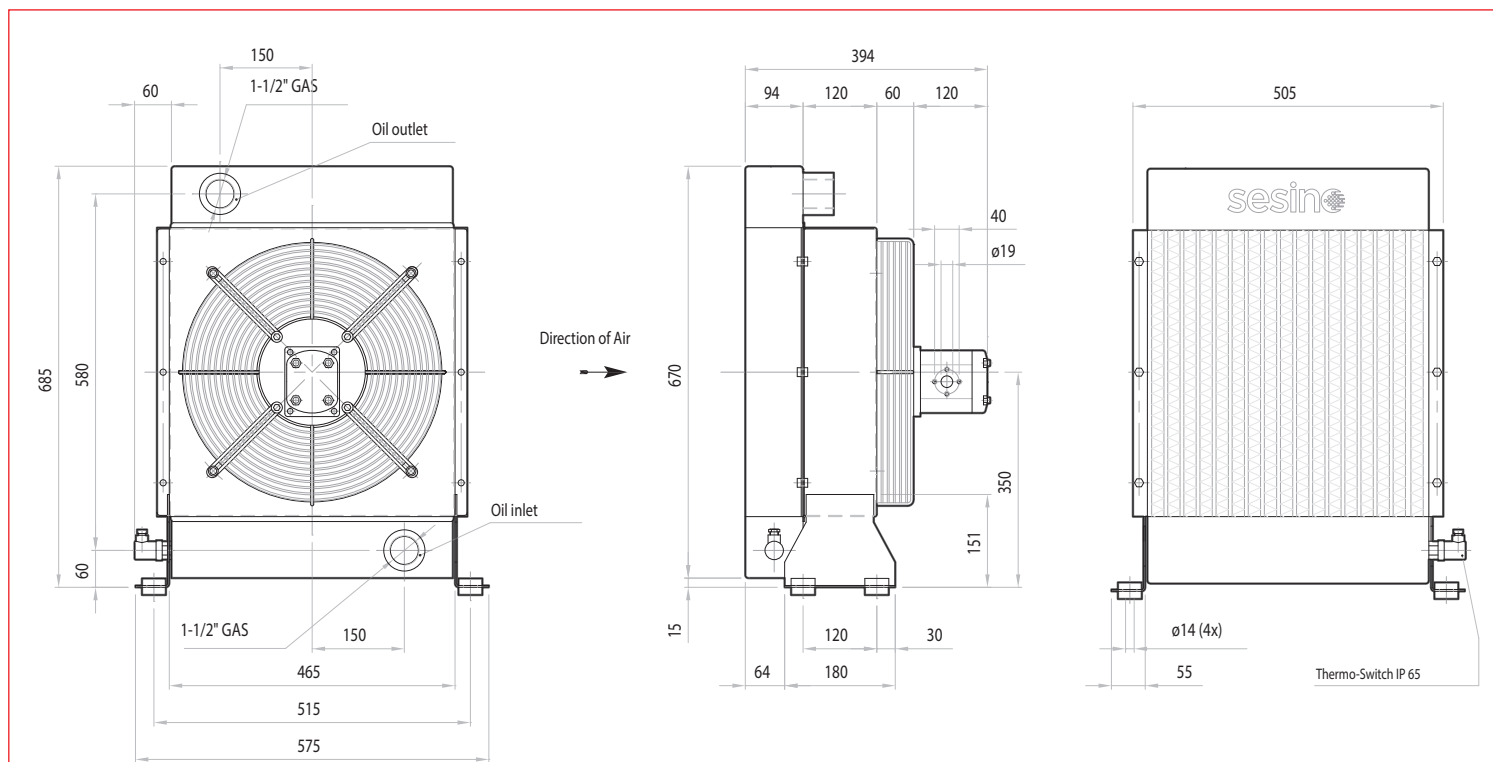
Frame	3CNAP580.1
Shock isolating mounting (4 pcs)	3KIT4135
Electric junction box for	1CSSDSAREL
Cooling element	3RNL580
Fan	1G580I
Hydraulic motor	1MO2/M16
Thermo-switch 60-49 IP 65	1TRM60-49
Thermo-switch 47-36 IP 65	1TRM47-36
Fan Grill	1RTAP580I



**CORRECTION FACTOR**

cSt	22	30	46	68	100	150	220
f	0,6	1	1,5	2,3	3,5	5	7

- Dimensions and technical characteristics are not binding



OIL FLOW	FAN SPEED	POWER	DISPLACEMENT	MOTOR FLOW	AIR FLOW	NOISE LEVEL	WEIGHT	CAPACITY	Ø FAN
l/min	rpm	W	cc/r	l/min	m <sup>3</sup> /h	dB(A)	kg	lt.	mm
100-250	2.250	880	11,3	26	8.000	78	38	11,5	400

# AP 680 I

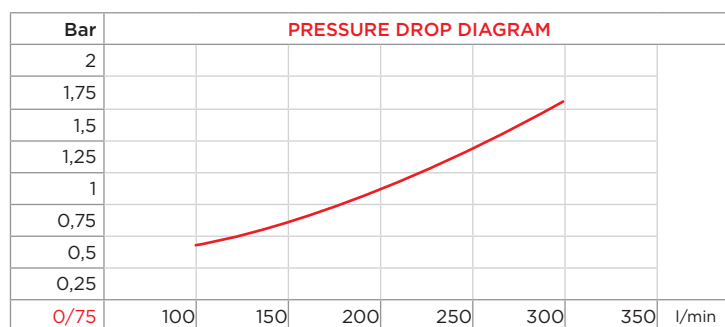
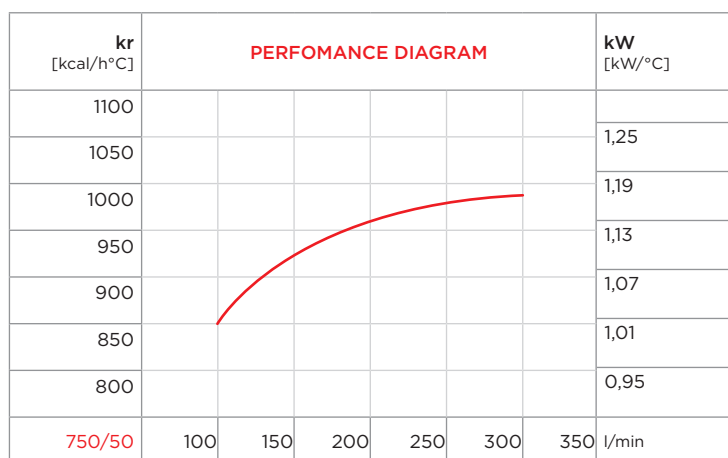


## PURCHASE CODES

AP 680 I with hydraulic motor	<b>3RAP68011A</b>
AP 680 I prepared	<b>3RAP68014A</b>

## SPARE PARTS

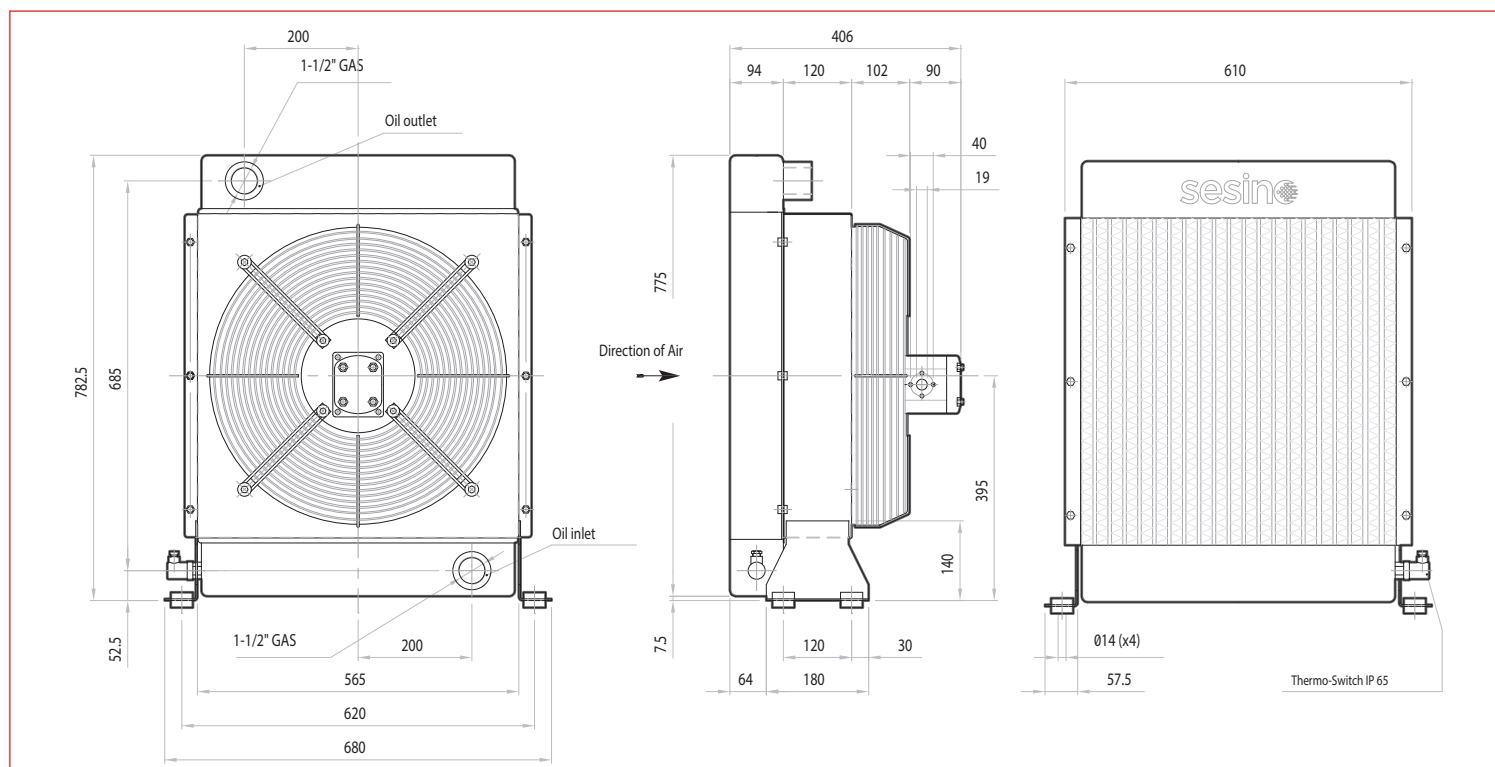
Frame	3CNAP680.1
Shock isolating mounting (4 pcs)	3KIT4135
Electric junction box	1CSSDSAREL
Cooling element	3RNAP680E
Electric fan	1G680I
Thermo-switch 60-49 IP 65	1TRM60-49
Thermo-switch 47-36 IP 65	1TRM47-36
Fan Grill	1RTAP680I



**CORRECTION FACTOR**

cSt	22	30	46	68	100	150	220
f	0,6	1	1,5	2,3	3,5	5	7

- Dimensions and technical characteristics are not binding



OIL FLOW	FAN SPEED	POWER	DISPLACEMENT	MOTOR FLOW	AIR FLOW	NOISE LEVEL	WEIGHT	CAPACITY	Ø FAN
l/min	rpm	W	cc/r	l/min	m³/h	dB(A)	kg	lt.	mm
100-300	1.450	750	11,3	17	10.000	80	48	15	500

# AP 730 I

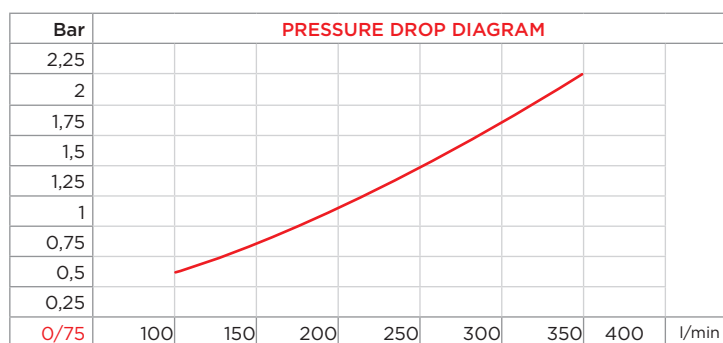
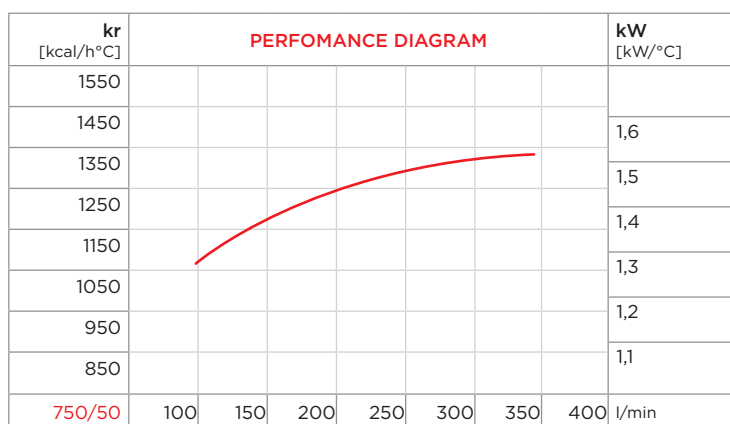


## PURCHASE CODES

AP 730 I with hydraulic motor	<b>3RAP730I1A</b>
AP 730 I prepared	<b>3RAP730I4A</b>

## SPARE PARTS

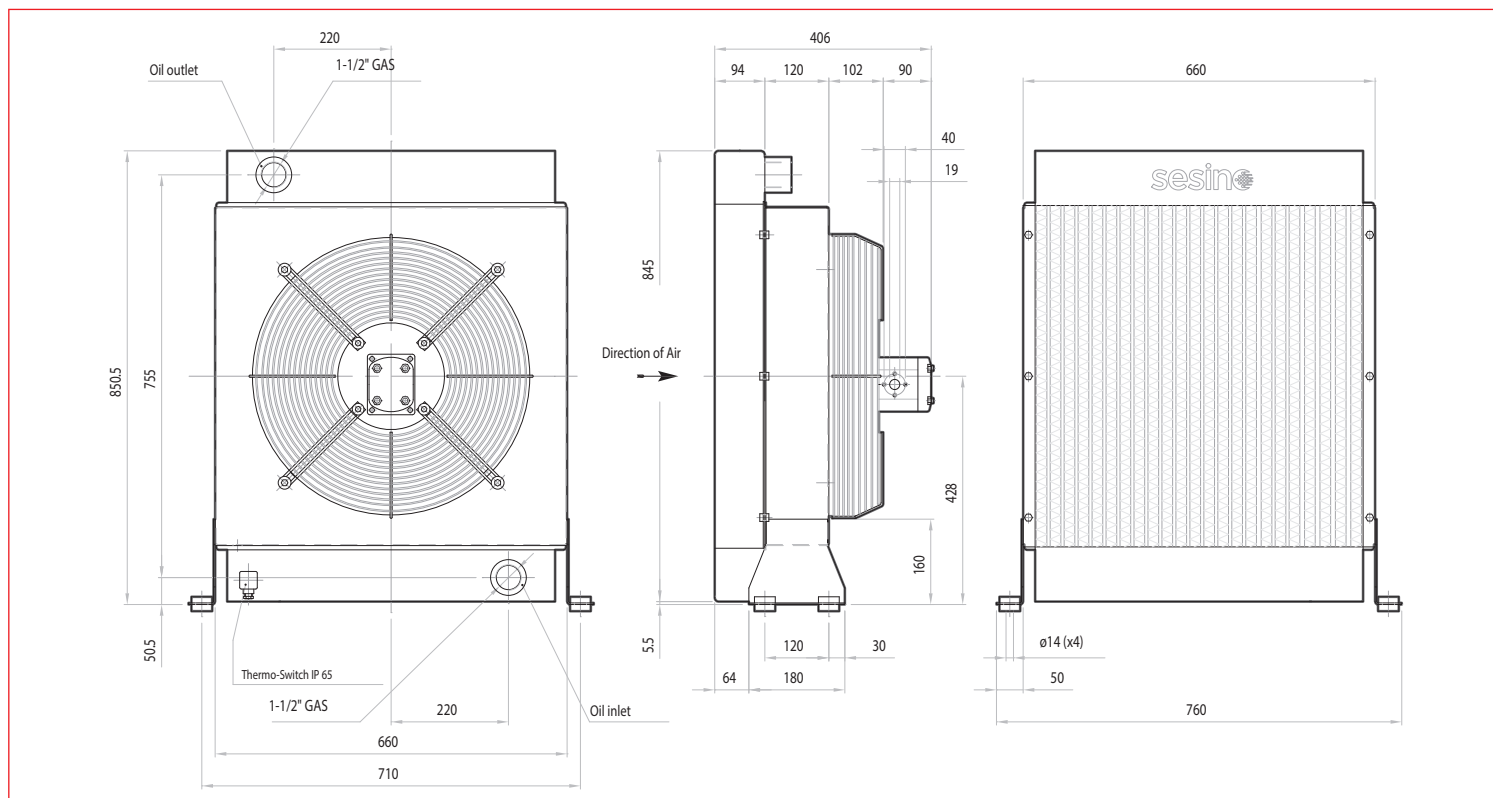
Frame	3CNAP730IA.1
Shock isolating mounting (4 pcs)	3KIT4232
Electric junction box	1CSSDSAREL
Cooling element	3RNAP730E
Electric fan	1G680I
Hydraulic motor	1MO2/M16
Thermo-switch 60-49 IP 65	1TRM60-49
Thermo-switch 47-36 IP 65	1TRM47-36
Fan Grill	1RTAP680I



**CORRECTION FACTOR**

cSt	22	30	46	68	100	150	220
f	0,6	1	1,5	2,3	3,5	5	7

- Dimensions and technical characteristics are not binding



OIL FLOW	FAN SPEED	POWER	DISPLACEMENT	MOTOR FLOW	AIR FLOW	NOISE LEVEL	WEIGHT	CAPACITY	Ø FAN
l/min	rpm	W	cc/r	l/min	m³/h	dB(A)	kg	lt.	mm
100-350	1.450	1.000	11,3	17	12.000	80	56	16	600



# AP 830 I

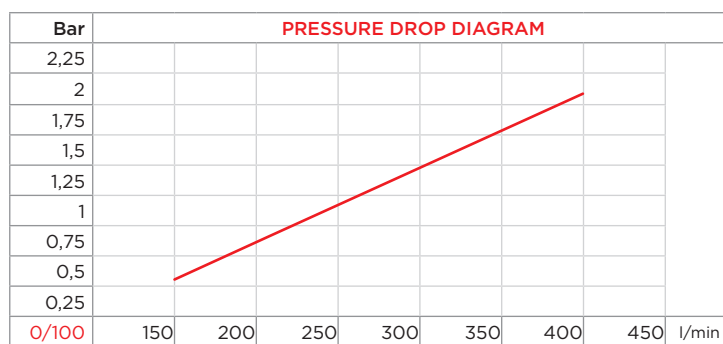
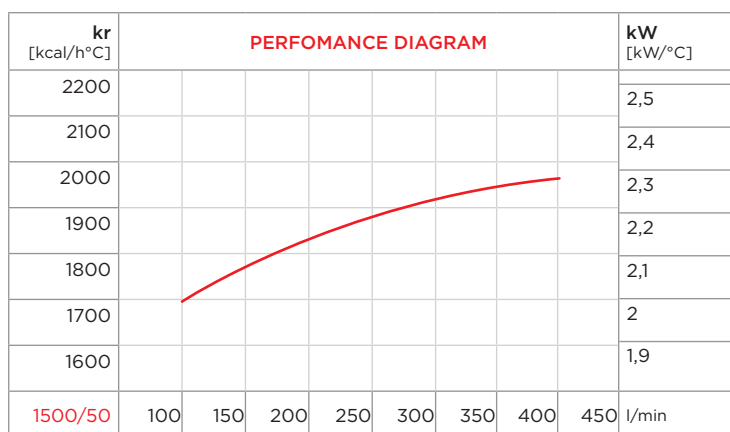


## PURCHASE CODES

AP 830 I with hydraulic motor	<b>3RAP830I2A</b>
AP 830 I prepared	<b>3RAP830I4A</b>

## SPARE PARTS

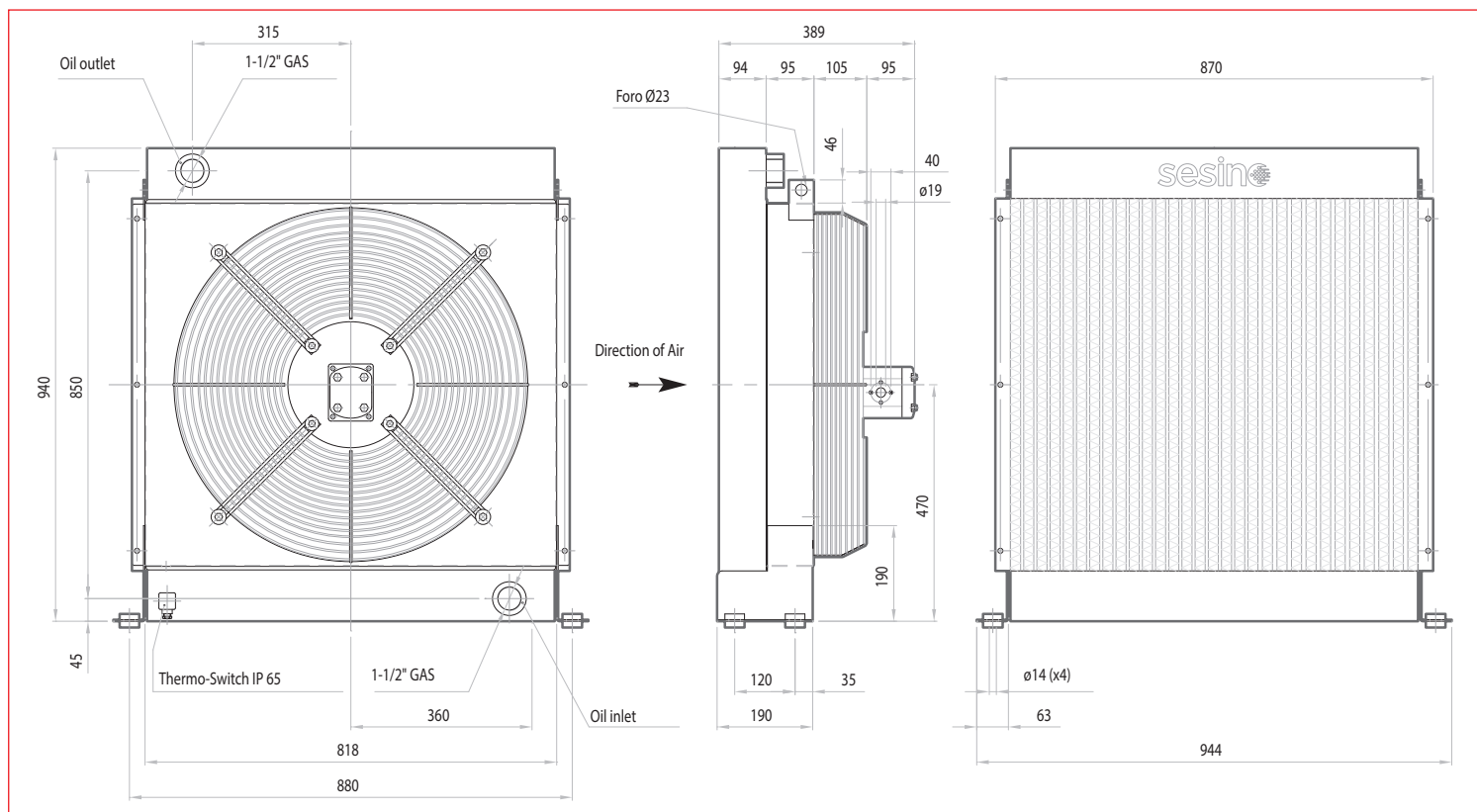
Frame	3CNAP830IA.1
Shock isolating mounting (4 pcs)	3KIT4232
Electric junction box	1CSSDSAREL
Cooling element	3RNAP830E
Electric fan	1G830I
Hydraulic motor	1MO2/M25
Thermo-switch 60-49 IP 65	1TRM60-49
Thermo-switch 47-36 IP 65	1TRM47-36
Fan Grill	1RTAP830I



**CORRECTION FACTOR**

cSt	22	30	46	68	100	150	220
f	0,6	1	1,5	2,3	3,5	5	7

- Dimensions and technical characteristics are not binding



OIL FLOW	FAN SPEED	POWER	DISPLACEMENT	MOTOR FLOW	AIR FLOW	NOISE LEVEL	WEIGHT	CAPACITY	Ø FAN
l/min	rpm	W	cc/r	l/min	m³/h	dB(A)	kg	lt.	mm
150-400	1.300	1.300	17,5	23	15.000	82	74,5	20	680

# AP 2/680 I

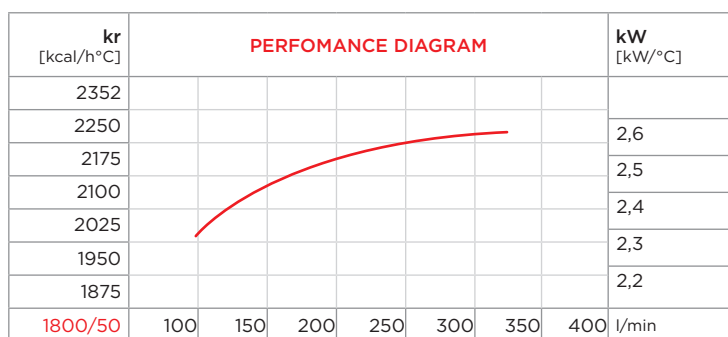


## PURCHASE CODES

AP 2/680 I with hydraulic motor	<b>3RAP2/68011A</b>
AP 2/680 I prepared	<b>3RAP2/68014A</b>

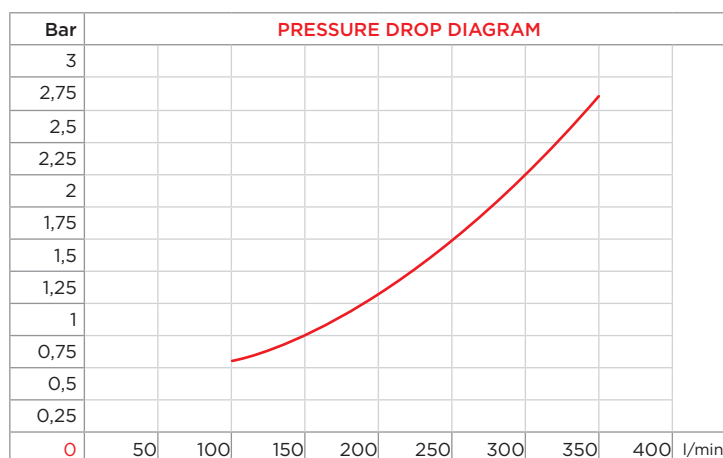
## SPARE PARTS

Frame	3CNAP2/6800.1
Shock isolating mounting (4 pcs)	3KIT4232
Electric junction box	1CSDSAREL
Cooling element	1RO01339
Electric fan	1G680I
Hydraulic motor	1MO2/M16
Thermo-switch 60-49 IP 65	1TRM60-49
Thermo-switch 47-36 IP 65	1TRM47-36
Fan Grill	1RTAP680I

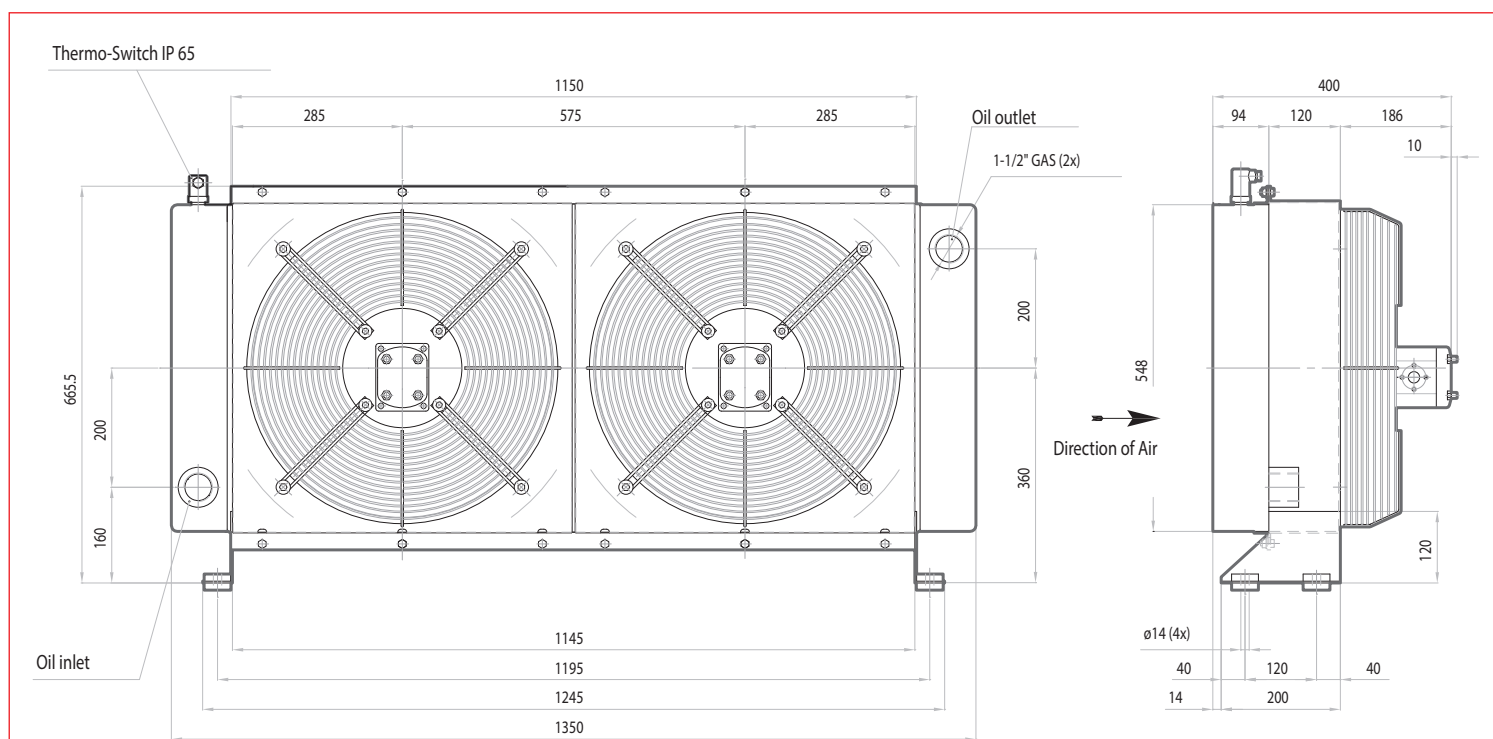


**CORRECTION FACTOR**

cSt	22	30	46	68	100	150	220
f	0,6	1	1,5	2,3	3,5	5	7



- Dimensions and technical characteristics are not binding



OIL FLOW	FAN SPEED	POWER	DISPLACEMENT	MOTOR FLOW	AIR FLOW	NOISE LEVEL	WEIGHT	CAPACITY	Ø FAN
l/min	rpm	W	cc/r	l/min	m³/h	dB(A)	kg	lt.	mm
100-300	2x1.450	2x750	2x11,3	2x17	2x10.000	82	100	28	2x500



# AP 2/730 I

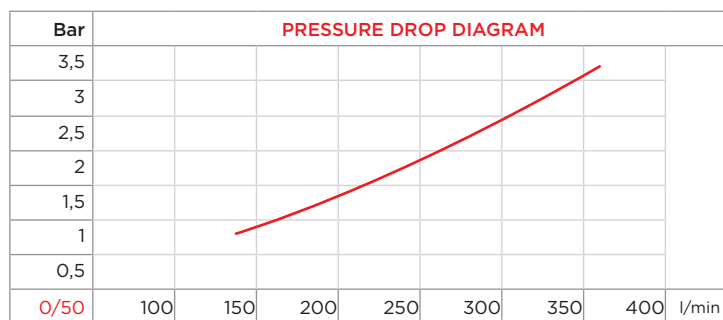
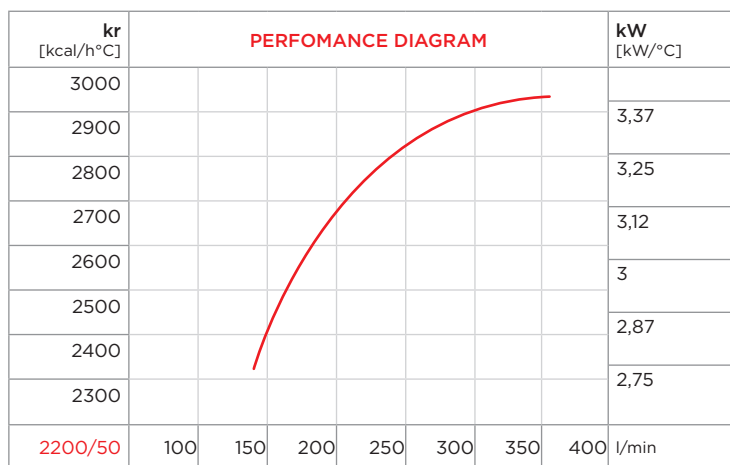


## PURCHASE CODES

AP 2/730 I with hydraulic motor	<b>3RAP2/730I1A</b>
AP 2/730 I prepared	<b>3RAP2/730I4A</b>

## SPARE PARTS

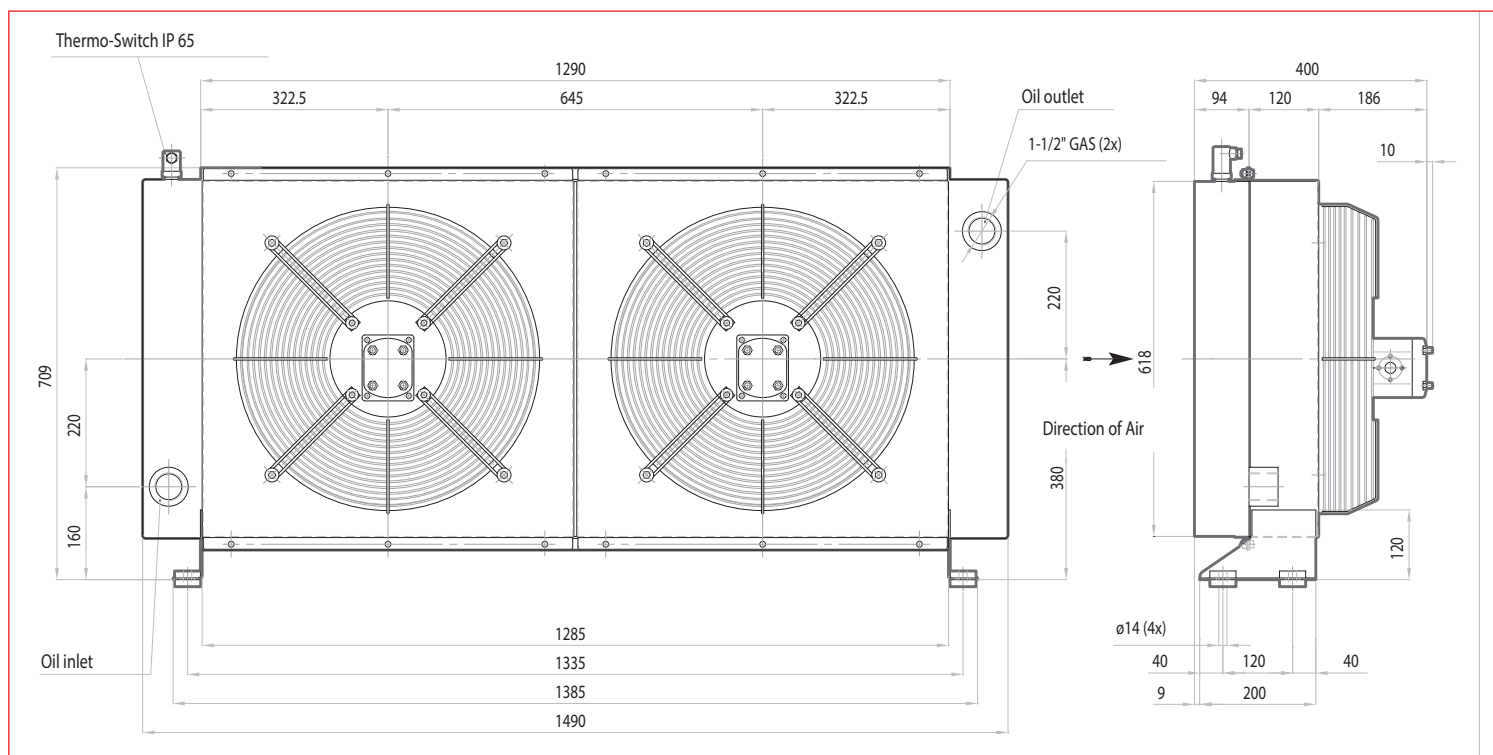
Frame	3CNAP2/730I.1
Shock isolating mounting (4 pcs)	3KIT4232
Electric junction box	1CSSDSAREL
Cooling element	1RO02357
Electric fan	1G680I
Hydraulic motor	1MO2/M16
Thermo-switch 60-49 IP 65	1TRM60-49
Thermo-switch 47-36 IP 65	1TRM47-36
Fan Grill	1RTAP680I



**CORRECTION FACTOR**

cSt	22	30	46	68	100	150	220
f	0,6	1	1,5	2,3	3,5	5	7

- Dimensions and technical characteristics are not binding



OIL FLOW	FAN SPEED	POWER	DISPLACEMENT	MOTOR FLOW	AIR FLOW	NOISE LEVEL	WEIGHT	CAPACITY	Ø FAN
l/min	rpm	W	cc/r	l/min	m³/h	dB(A)	kg	lt.	mm
100-350	1.450	2x1.000	2x11,3	2x17	2x12.000	82	120	30	2x600

# AP 2/830 I

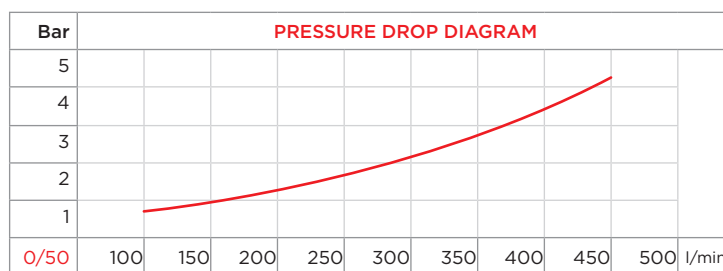
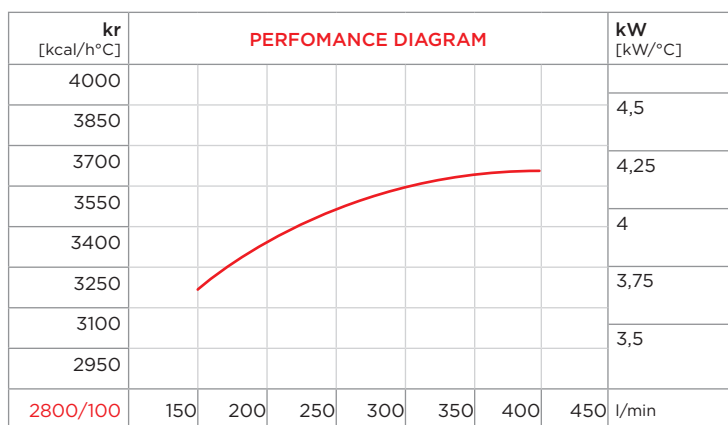


## PURCHASE CODES

AP 2/830 I with hydraulic motor	<b>3RAP830I2A</b>
AP 2/830 I prepared	<b>3RAP830I4A</b>

## SPARE PARTS

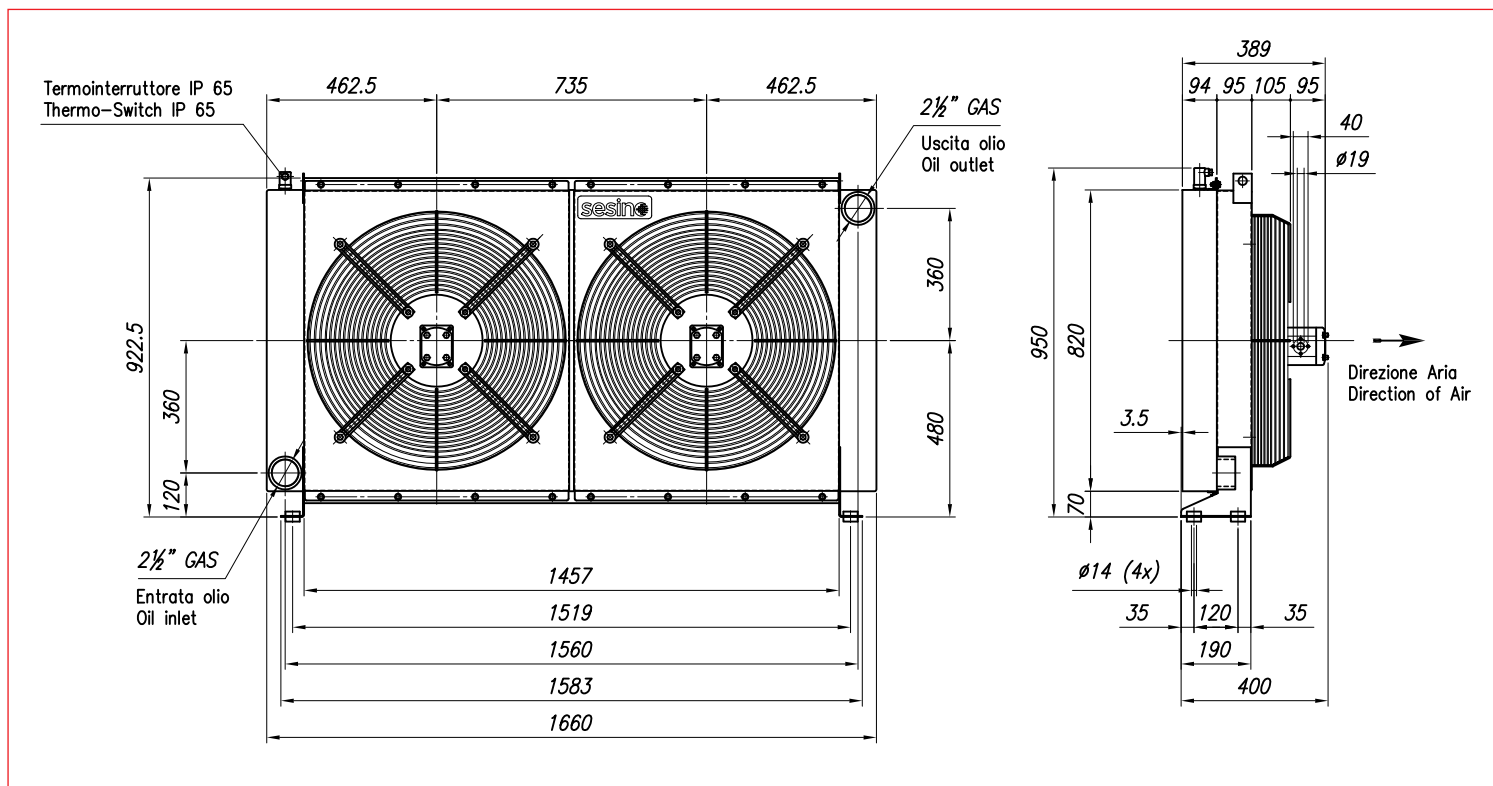
Frame	3CNAP2/830I.1
Shock isolating mounting (4 pcs)	3KIT4232
Electric junction box	1CSSDSAREL
Cooling element	3RNEO91247
Electric fan	1G830I
Hydraulic motor	1MO2/M25
Thermo-switch 60-49 IP 65	1TRM60-49
Thermo-switch 47-36 IP 65	1TRM47-36
Fan Grill	1RTAP830I



**CORRECTION FACTOR**

cSt	22	30	46	68	100	150	220
f	0,6	1	1,5	2,3	3,5	5	7

- Dimensions and technical characteristics are not binding



OIL FLOW	FAN SPEED	POWER	DISPLACEMENT	MOTOR FLOW	AIR FLOW	NOISE LEVEL	WEIGHT	CAPACITY	Ø FAN
l/min	rpm	W	cc/r	l/min	m <sup>3</sup> /h	dB(A)	kg	lt.	mm
150-400	2x1.300	2x1.300	2x17,5	2x23	2x15.000	82	148	40	2x680

# AP 300/2 I

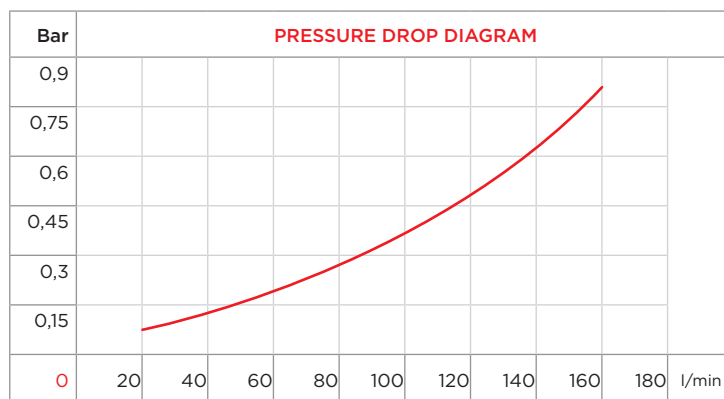
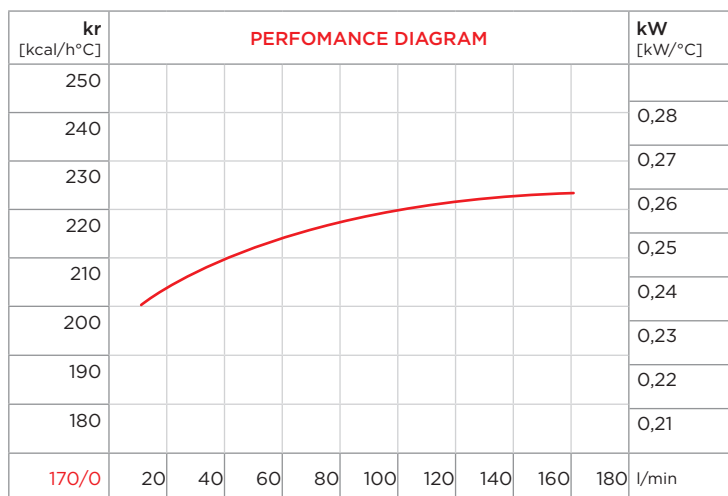


## PURCHASE CODES

AP 300/2 I With hydraulic motor	3RAP302IA
AP 300/2 I Prepared	3RAP302I4A

## SPARE PARTS

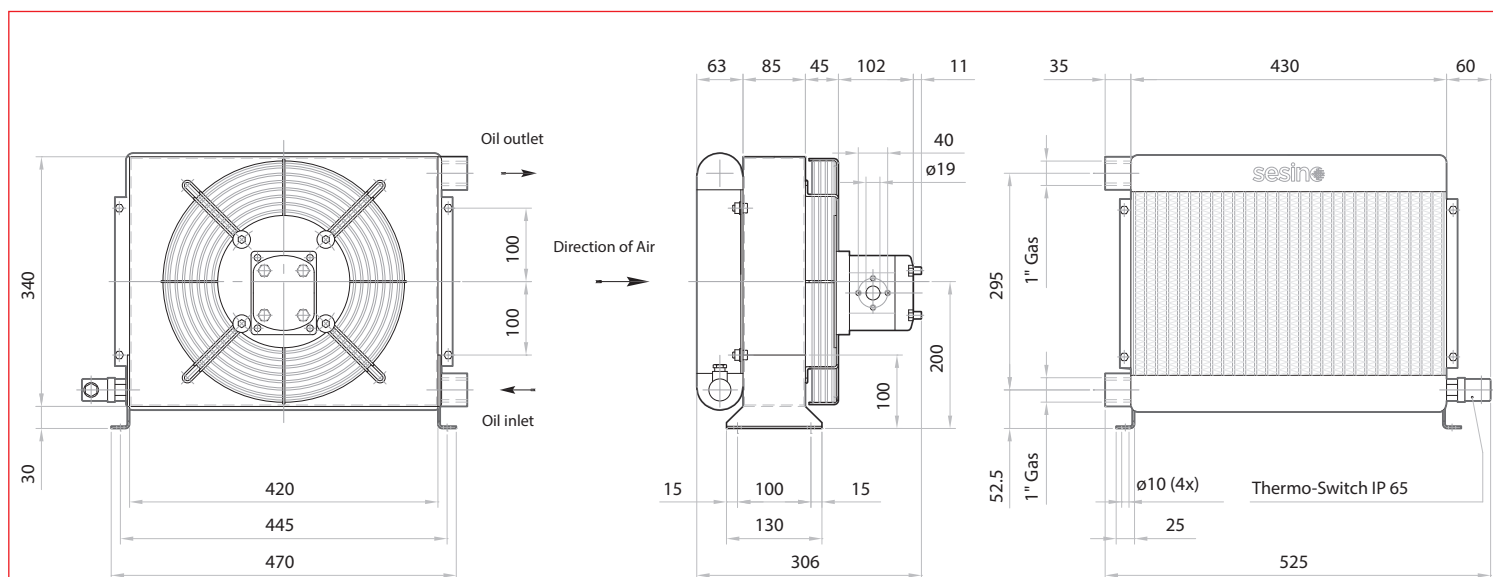
Cooling element	3RNL302
Housing	1302TLV
Frame	3CNAP302I.1
Fan	1G300I
Fan Grill	1RTAP300I
Hydraulic motor	1MO2/M16
Thermo-switch 60-49 IP 65	1TRM60-49
Thermo-switch 47-36 IP 65	1TRM47-36



**CORRECTION FACTOR**

cSt	22	30	46	68	100	150	220
f	0,6	1	1,5	2,3	3,5	5	7

- Dimensions and technical characteristics are not binding



OIL FLOW	FAN SPEED	POWER	DISPLACEMENT	MOTOR FLOW	AIR FLOW	NOISE LEVEL	WEIGHT	CAPACITY	ø FAN
l/min	rpm	W	cc/r	l/min	m <sup>3</sup> /h	dB(A)	kg	lt.	mm
20-50	2300	200	11,3	26	2.500	70	19	3,6	255



# AP 430/2 I

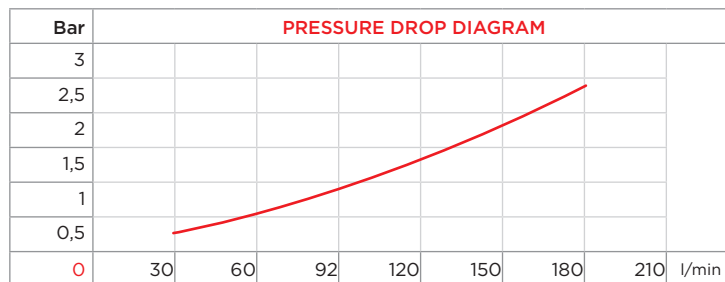
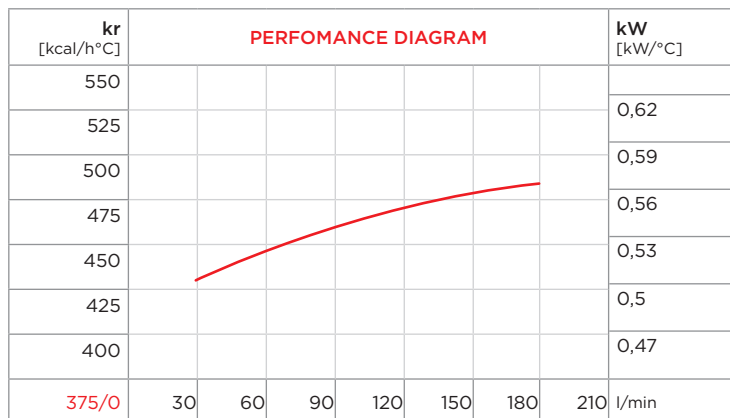
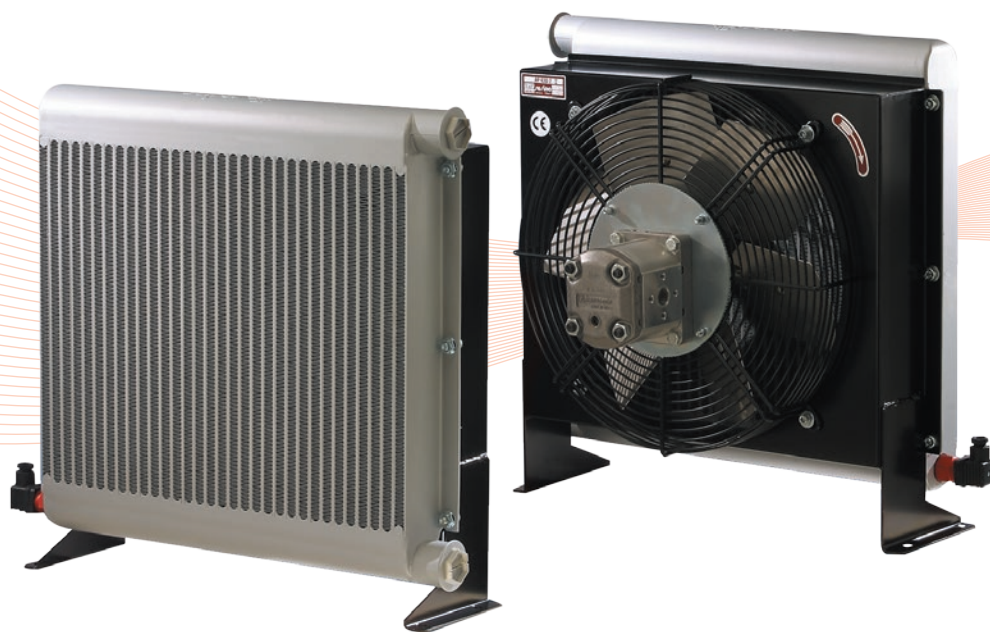


## PURCHASE CODES

AP 430/2 I with hydraulic motor	3RAP43211A
AP 430/2 I prepared	3RAP43214A

## SPARE PARTS

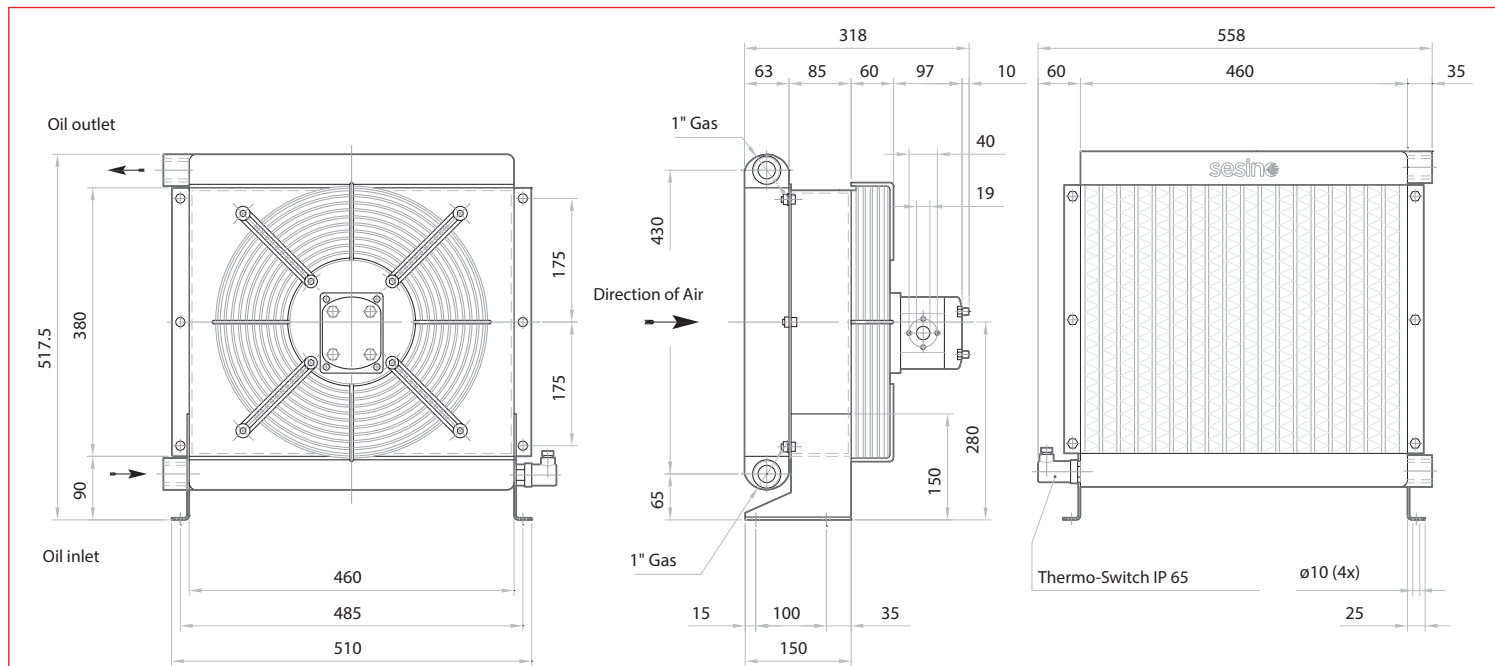
Cooling element	3RNAP432TP
Frame	3CN4301.1
Shock isolating mounting (4 pcs)	3KIT4511
Fan	1G430I
Fan grill	1RTAP430I
Hydraulic motor	1MO2/M16
Thermo-switch 60-49 IP 65	1TRM60-49
Thermo-switch 47-36 IP 65	1TRM47-36



**CORRECTION FACTOR**

cSt	22	30	46	68	100	150	220
f	0,6	1	1,5	2,3	3,5	5	7

- Dimensions and technical characteristics are not binding



OIL FLOW	FAN SPEED	POWER	DISPLACEMENT	MOTOR FLOW	AIR FLOW	NOISE LEVEL	WEIGHT	CAPACITY	ø FAN
l/min	rpm	W	cc/r	l/min	m <sup>3</sup> /h	dB(A)	kg	lt.	mm
30-180	2.700	830	11,3	31	7.000	74	23	5,5	400